

VAC MODULAR

FULLY AUTOMATIC PRESSURE SENSITIVE LABELER

Ideal for wine, beverage, cosmetics and food industries, Suitable for cylindrical product labeling.

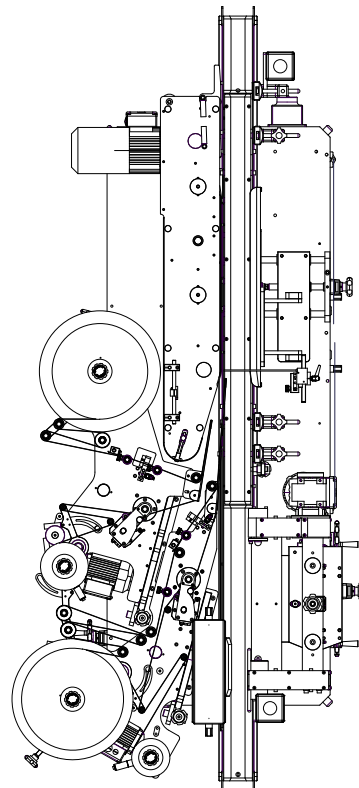


FEATURES

- Speeds up to 200 BPM FOR 750ml
- Up to 400 BPM for Smaller Containers
- Two Body Labeling Heads
- Each Labeling Head Applies
One or Two Labels with a Space
- Applies Full Wrap Labels
- Operator Interface / HMI
- PLC Controlled
- Product Library
- Calibrated Mechanical Set-Points

OPTIONS

- End of Reel Sensors
- Low Infeed - Hi Outfeed Sensors
- VFD to Control Existing Conveyor Motor
- Conveyor Drive Motor
- Pre-Wired for Optical Orientation
- Optical Orientation Device
- Quick Release Waste Rewind Hub
- Tapered Bottle Adjustment
- Heavy Duty Legs for Truck Installation
- Labeling Head Height Adjustment on Both
Sides of Machine
- PLC/HMI Selection other than Mitsubishi
- Auto-Interchange Between Labeling Heads
- 6" I.D. Core Adaptors
- Neck/Shoulder Labeling Head



IMPRESSTIK LABELING SYSTEMS