

HIGH SPEED ROTARY

FULLY AUTOMATIC PRESSURE SENSITIVE LABELER

Ideal for high-speed efficient operations with cylindrical and non-cylindrical container shapes

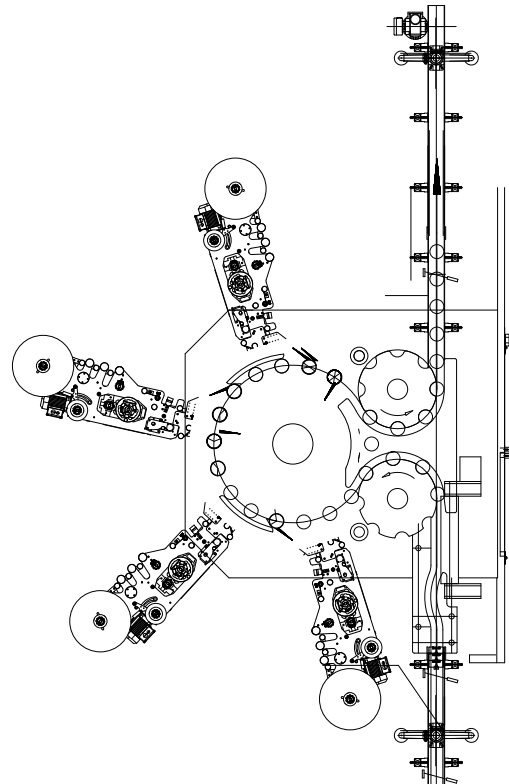


FEATURES

- Speeds up to 600 BPM
- Up to Six Labeling Heads
- Ability to Apply Full Wrap Labels
(Dual Dispense Speeds/Sync Ratio)
- Labels Non-Cylindrical Containers
- Operator Interface / HMI
- PLC Controlled
- Product Library
- Calibrated Mechanical Set-Points
- Cost Determined by Size, Speed & Options

OPTIONS

- Mechanical or Electronic CAM
- End of Reel Sensors
- Low Infeed - Hi Outfeed Sensors
- Fallen Bottle Detection
- Additional Sensors for Line Control
- No Capsule/No Label Sensor
- Mechanical Orientation
- Bottle Seam Orientation
- Optical Orientation
- Vacuum Belt Unit at Out-feed (FB1 Labels)
- Quick Release Waste Rewind Hub
- 6" I.D. Core Adapters
- Modular Change-Parts - Fast Change Over
- Auto-Interchange between Labeling Heads
- Bottle Gate
- Inspection Cameras with Auto Reject
- Auto Splice and Waste Removal
- Conveyor Side Transfer Units



IMPRESSTIK LABELING SYSTEMS